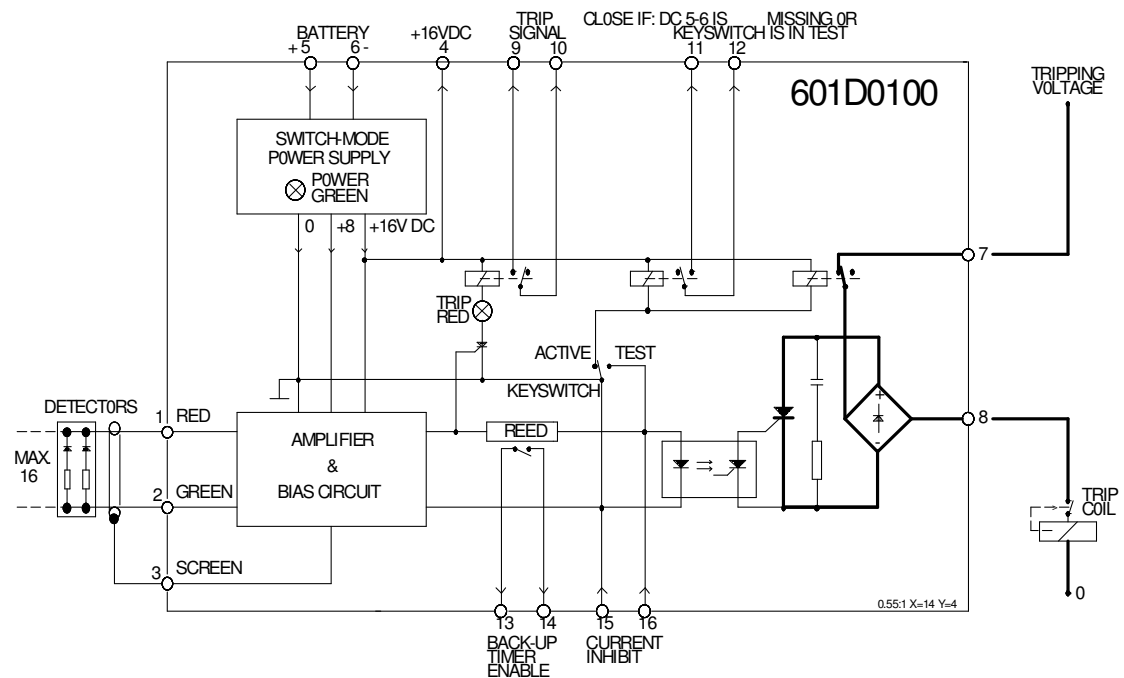


REMOTE TRIP SIGNAL  
PILOT VOLT. MISSING  
OR KEYSWITCH IN TEST



02.08.26	<b>ARC D-TECT RELAY</b> 601D0100 PLUS <b>2 JUNCTION BOXES</b> 601D0400	<b>CAMTO</b>
FTh		
CASE DIT		
D0414.S01		
		<b>601D0414</b>